

NOS

Collection
Design / Christophe Delcourt



COLLECTION
PARTICULIERE
{mobilier singulier}

COLLECTION PARTICULIERE
47 rue de Babylone 75007 PARIS / +33 (0)1 42 71 34 84
contact@objetsmobilier.com / www.collection-particuliere.fr

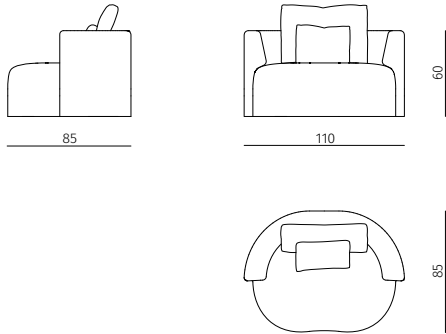
NOS

Collection

Design / Christophe Delcourt

armchair (with 2 cushions)

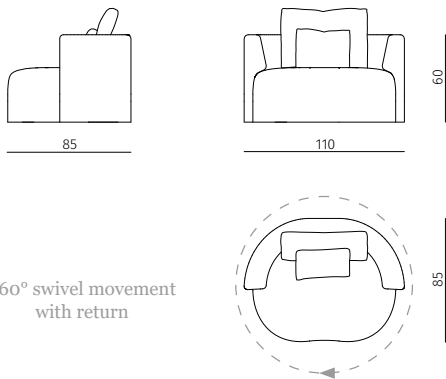
dimensions : 110 x 85 x h60 cm / COM: 8,1 ml COL: 17,5 m²
 seat height 38 cm / seat depth 69 cm



Materials	Finishes
without fabric	DC Textiles range
fabric	Douglas range
leather	Velvet range
fabric	Kiowa range

swivel armchair (with 2 cushions)

dimensions : 110 x 85 x h60 cm / COM: 8,1 ml COL: 17,5 m²
 seat height 38 cm / seat depth 69 cm



360° swivel movement
with return

Materials	Finishes
without fabric	DC Textiles range
fabric	Douglas range
leather	Velvet range
fabric	Kiowa range

Non-contractual lead time of 12 weeks.

COLLECTION
 PARTICULIERE
{moblier singulier}

COLLECTION PARTICULIERE

47 rue de Babylone 75007 PARIS / +33 (0)1 42 71 34 84
 contact@objetsmoblier.com / www.collection-particuliere.fr

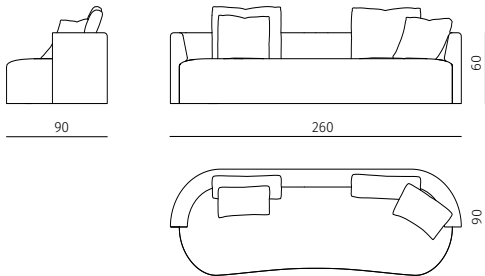
NOS

Collection

Design / Christophe Delcourt

sofa (with 4 cushions)

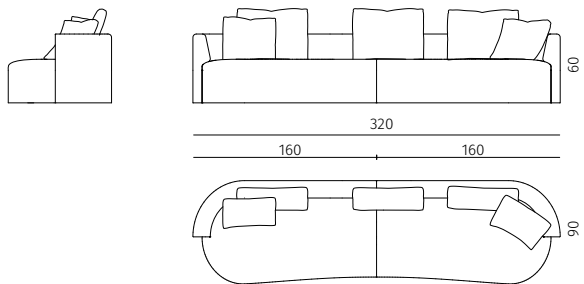
dimensions : 260 x 90 x h60 cm / COM: 11,7 ml COL: 25,3 m²
 seat height 38 cm / seat depth 69 - 75 cm



Materials	Finishes
without fabric	DC Textiles range
fabric	Douglas range
leather	Velvet range
fabric	Kiowa range

double sofa (with 5 cushions)

dimensions : 320 x 90 x h60 cm / COM: 17,4 ml COL: 37 m²
 seat height 38 cm / seat depth 69 - 75 cm



Materials	Finishes
without fabric	DC Textiles range
fabric	Douglas range
leather	Velvet range
fabric	Kiowa range

COLLECTION
 PARTICULIERE
{mobilier singulier}

COLLECTION PARTICULIERE

47 rue de Babylone 75007 PARIS / +33 (0)1 42 71 34 84
 contact@objetsmobilier.com / www.collection-particuliere.fr

Non-contractual lead time of 12 weeks.

NOS

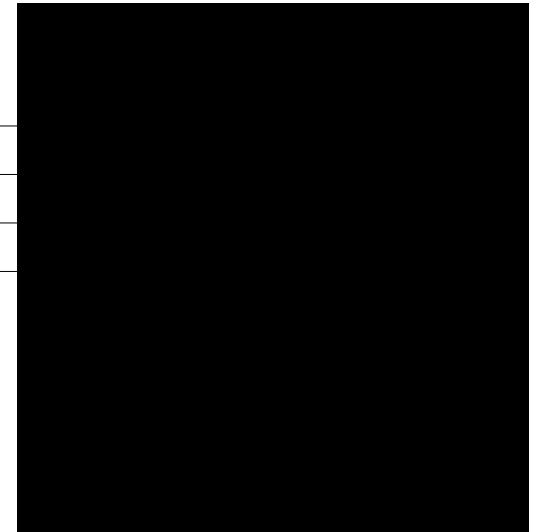
Collection

Design / Christophe Delcourt

panoramic sofa (with 6 cushions)

2 elements 160 cm left and right & 1 angle element 120 cm
dimensions : 280 x 280 x h60 cm / COM: 24,4 ml COL: 52,1 m²
seat height 38 cm / seat depth 69 - 75 cm

Materials	Finishes
without fabric	DC Textiles range
fabric	Douglas range
leather	Velvet range
fabric	Kiowa range



Non-contractual lead time of 12 weeks.

COLLECTION PARTICULIERE

47 rue de Babylone 75007 PARIS / +33 (0)1 42 71 34 84
contact@objetsmobilier.com / www.collection-particuliere.fr